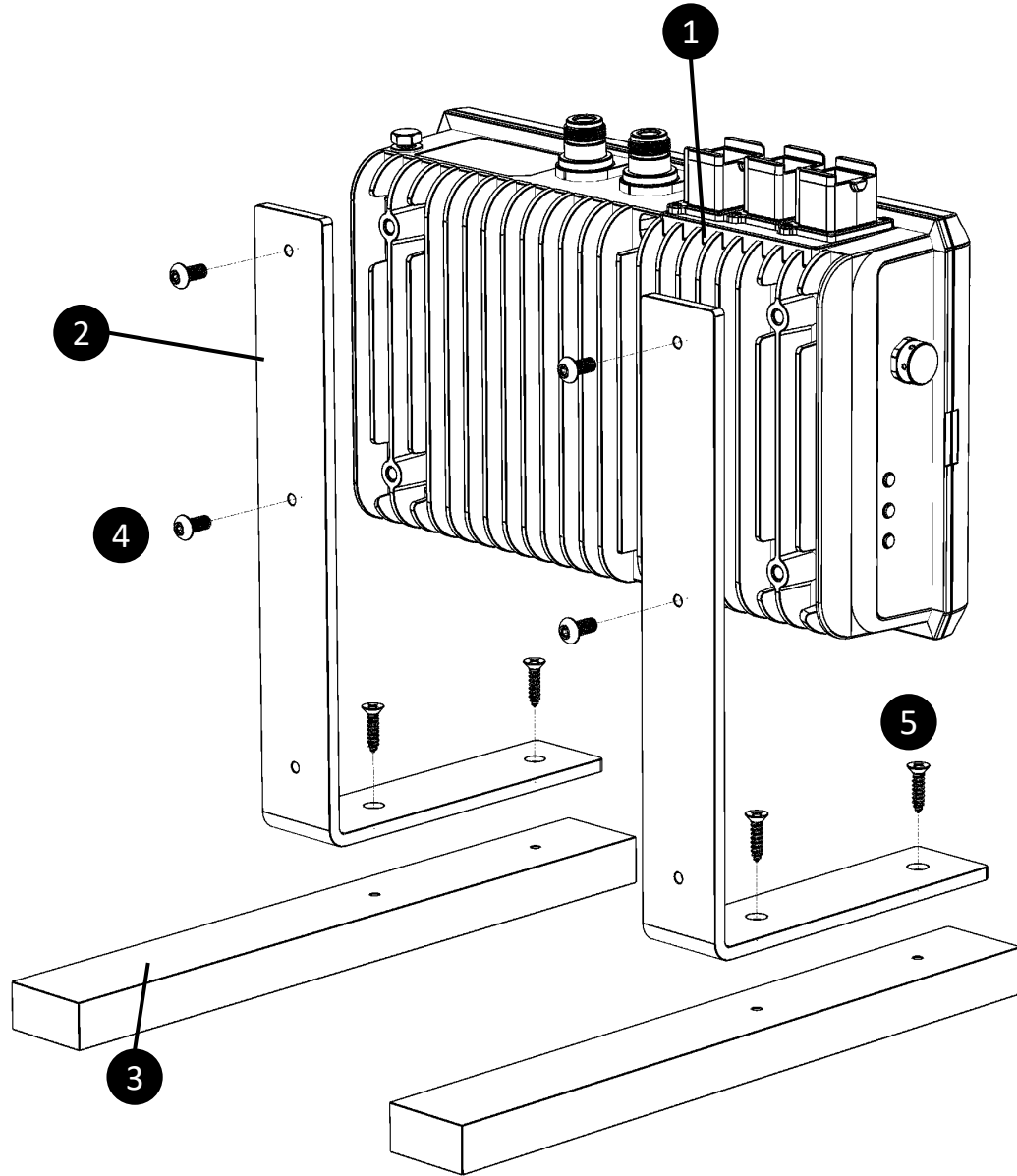


Benchtop assembly

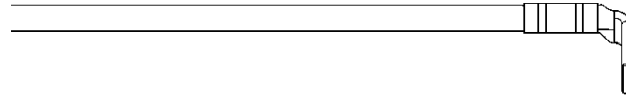


#	DESCRIPTION	QTY
1	RU	1
2	BRACKET, METAL, L10" x H6" x W1.5"	2
3	WOOD, 1.5IN x 2IN, L 12IN	2
4	SCREW, PAN, M5, L 12MM	4
5	SCREW, WOOD, #8, L 0.75IN	4

Cable installation

Grounding cable

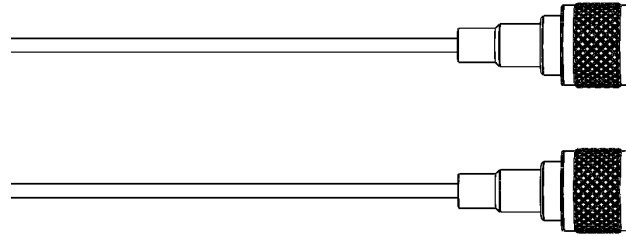
(Example 6 Gauge wire with right angle compression lug)



Coaxial cable, shielded (site specific)

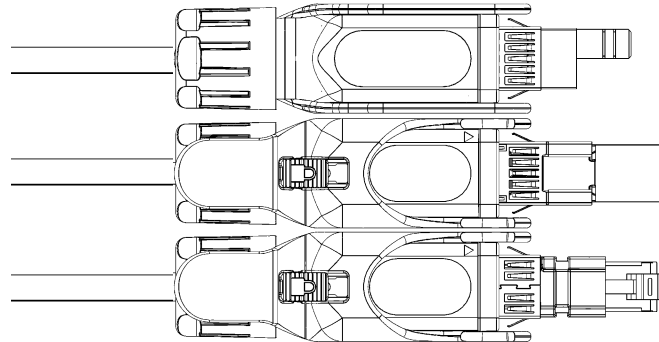
min bend radius: **10X DIA**

(Example L-COM CA-400UF-FOOT)



Power cable

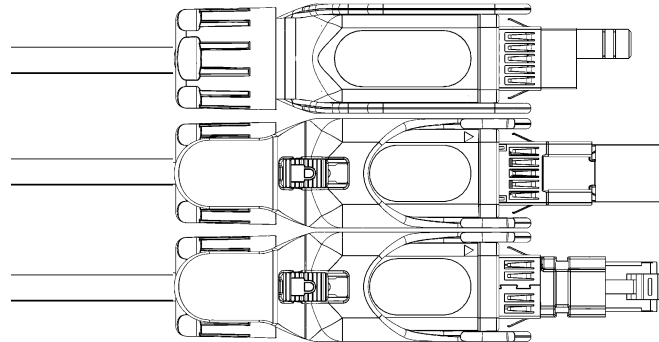
min bend radius: **8X DIA**



Single mode, duplex LC fiber optic cable

min bend radius: **10X DIA**

(Example FS SMLCDX)



Ethernet cable

min bend radius: **4X DIA**

